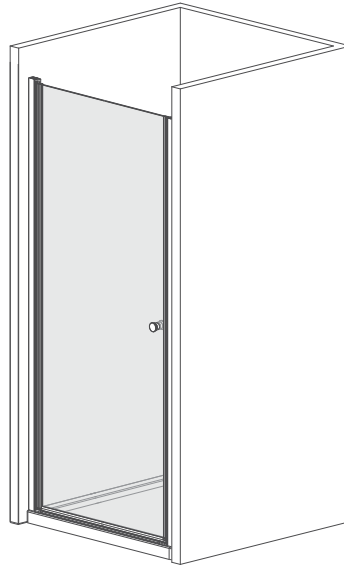


- D Montageanleitung
 E Mounting instructions
 HR Naputci za montažu
 SLO Navodila za montažo
 HU Szerelési útmutató
 RO Instrucțiuni de montaj
 CZ Montážní návod
 SK Montážní návod
 BG Инструкции за инсталиране
 PL Instrukcja instalacji
 GR Οδηγίες Εγκατάστασης
 IT Istruzioni per l'installazione



Symbol foto



SANOTECHNIK
 Handelsgesellschaft m.b.H.
 Industriestraße 5
 A-2752 Wöllersdorf
 Tel.: +43 2622 / 421 93 0
 Fax: +43 2622 / 421 93 6
 office@sanotechnik.at
 www.sanotechnik.com



SANOTECHNIK Hungária Kft.
MAGYARORSZÁG
 Nagytétényi út 112
 H-1222 BUDAPEST
 Tel.: (+36 1) 424 06 70
 Fax: (+36 1) 424 06 79
 info@sanotechnik.hu
 www.sanotechnik.com



SC Sanotechnik COM Rumänien S.R.L.
ROMANIA
 Tancabesti, DN 1, KM 26,5
 Com. Snagov, jud. Ilfov
 Tel.: +40 21 350 13 43
 Fax: +40 21 350 13 44
 office@sanotechnik.ro
 www.sanotechnik.com

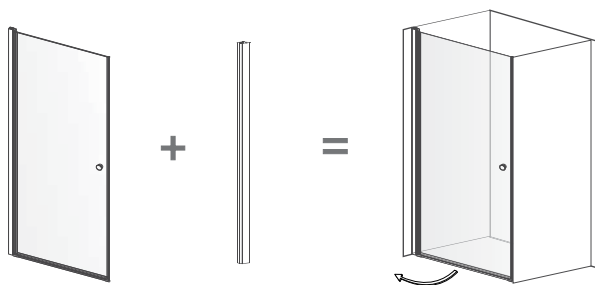
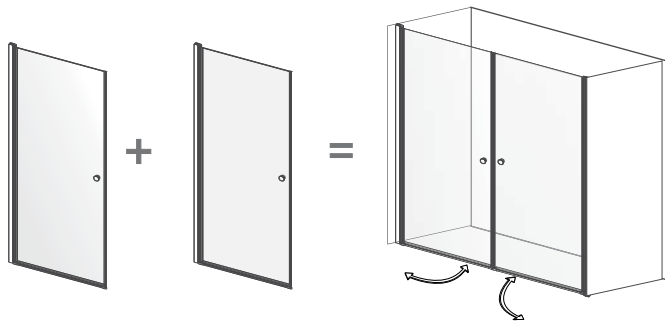
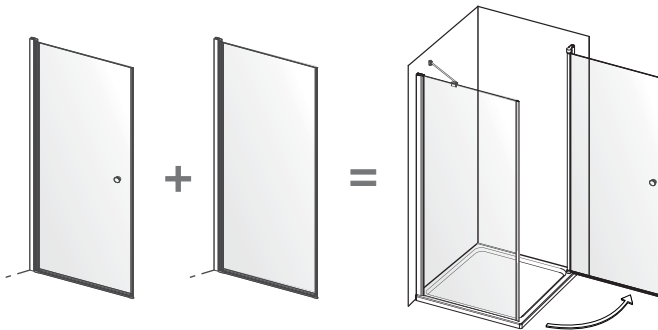
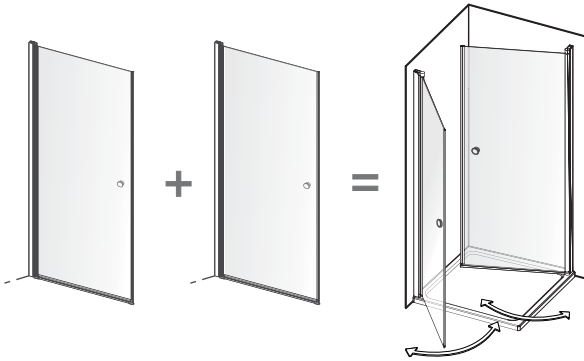


SANOTECHNIK d.o.o.
SLOVENIJA
 Slrtrajevca ulica 24
 SI-2000 MARIBOR
 Tel. +3862/4213350
 Fax +3862/4213358
 info@sanotechnik.si
 www.sanotechnik.com

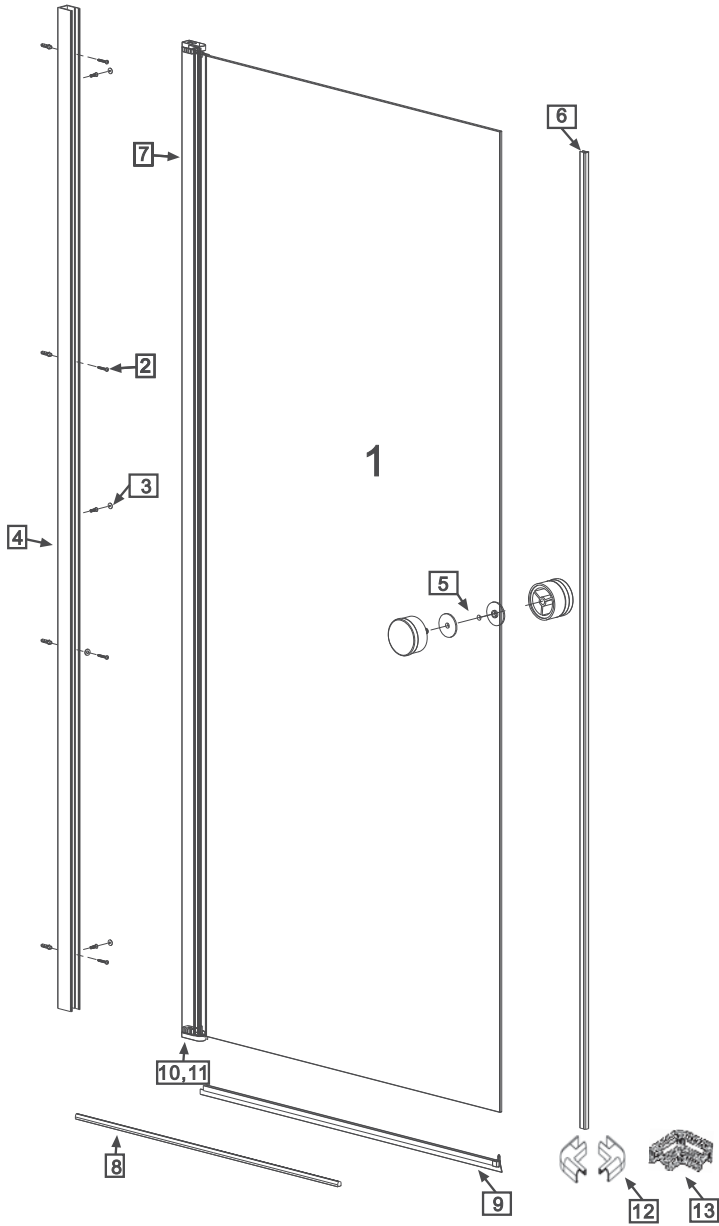


Sanotechnik Bulgaria Ltd.
BULGARIA
 3, Georgi Benev St.
 BG-4003 Plovdiv
 Tel: +359 32 961101
 Fax: +359 32 961102
 office@sanotechnik.bg
 www.sanotechnik.com

SANOTECHNIK[®]
 INTERNATIONAL



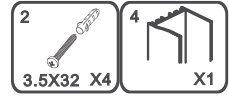
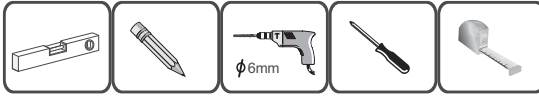
◆ Assembly Drawing



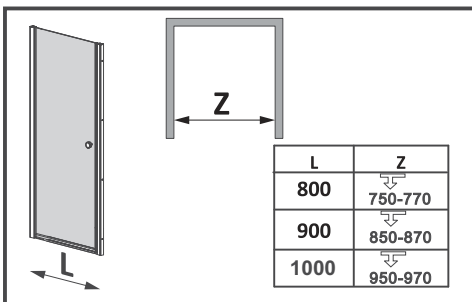
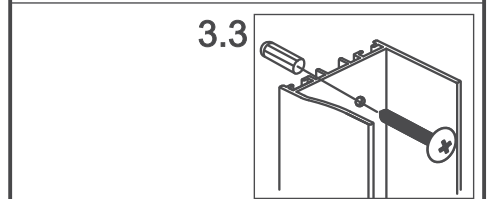
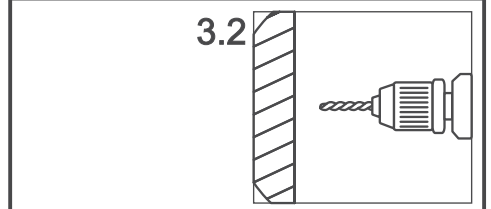
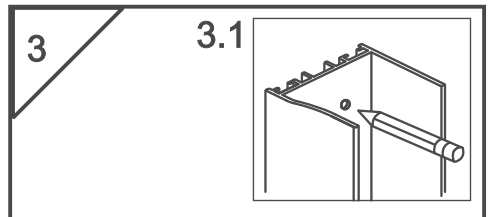
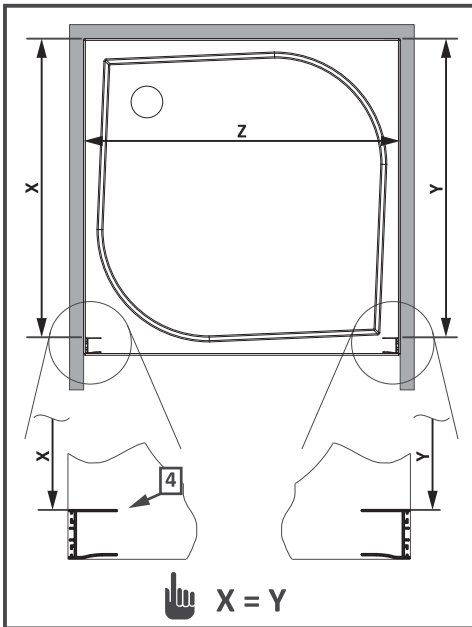
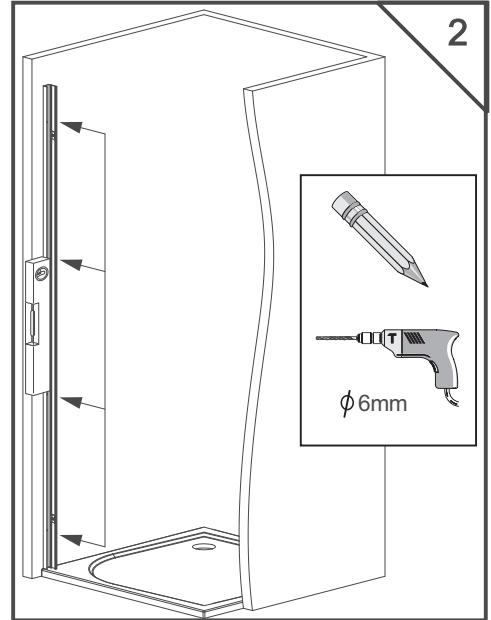
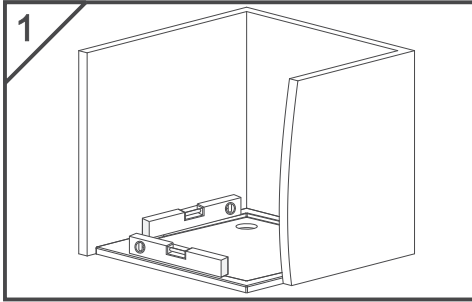


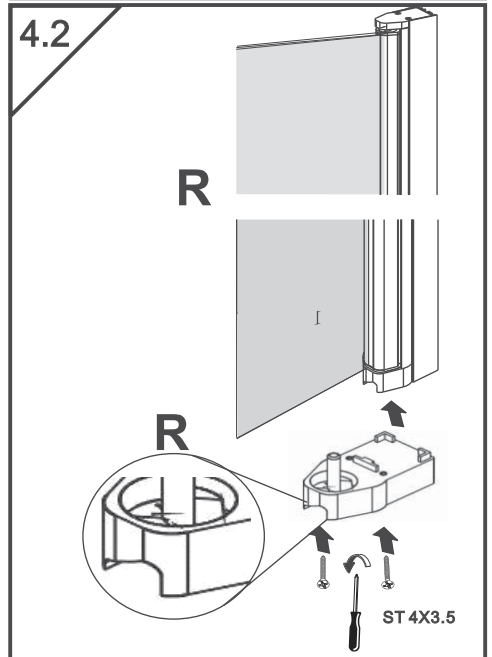
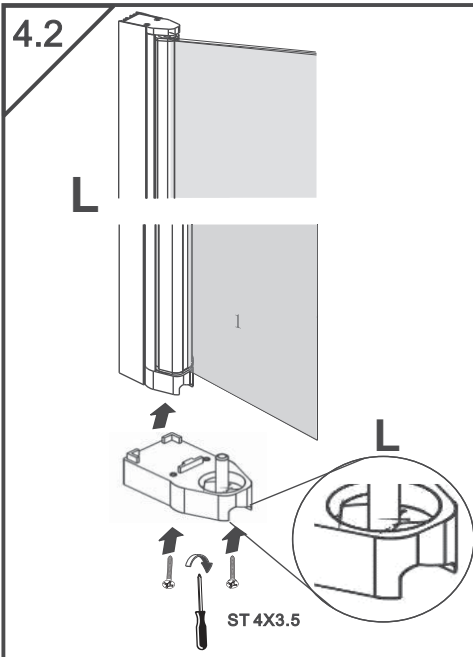
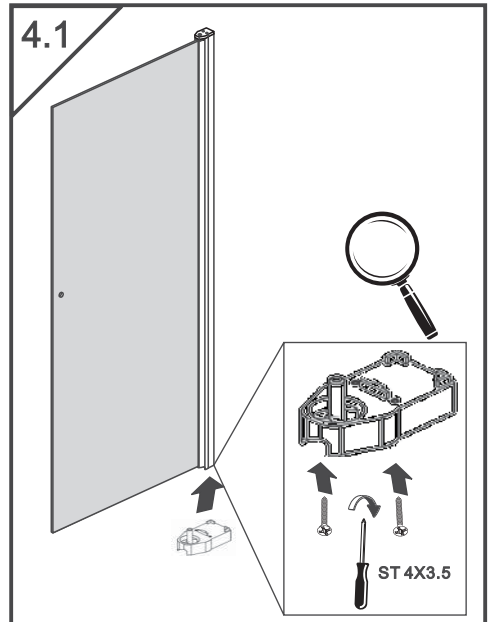
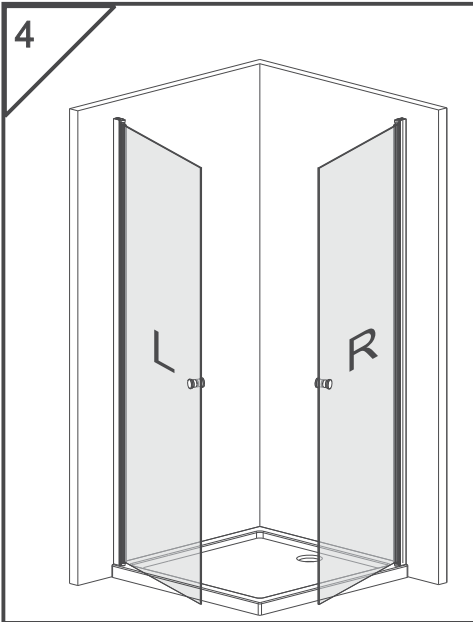
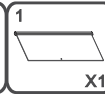
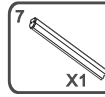
◆ Box Contents

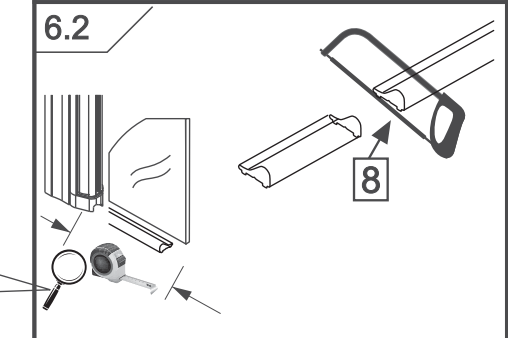
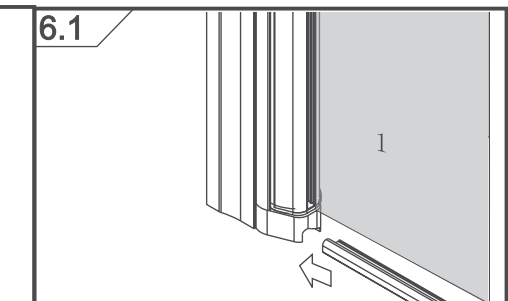
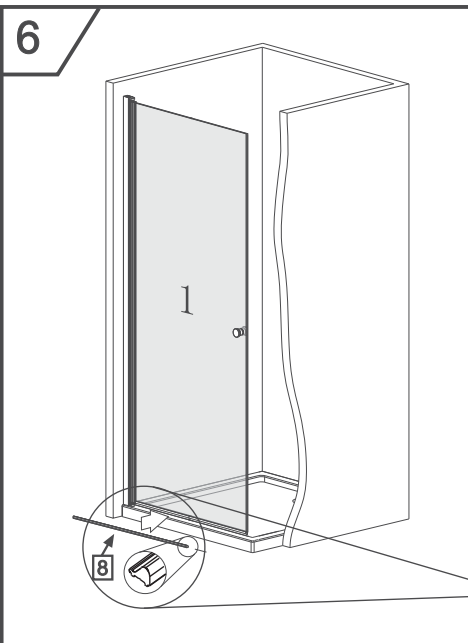
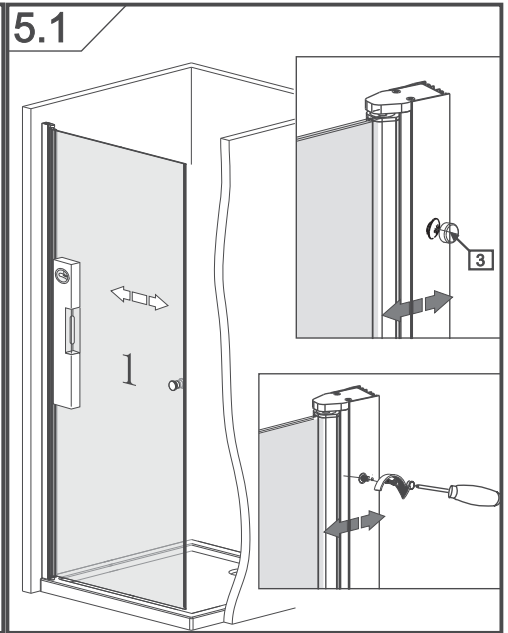
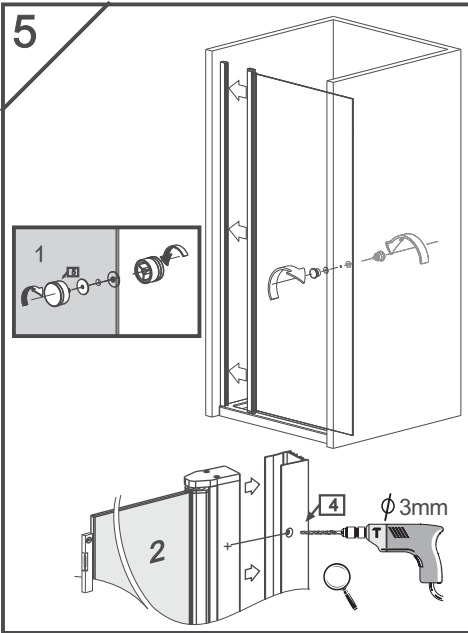
| | | |
|----|-----------|----|
| 1 | | X1 |
| 2 | ST 3.5X32 | X3 |
| 3 | ST 3.5X13 | X3 |
| 4 | | X1 |
| 5 | | X1 |
| 6 | | X1 |
| 7 | | X1 |
| 8 | | X1 |
| 9 | | X1 |
| 10 | | X1 |
| 11 | | X1 |
| 12 | | X1 |
| 13 | | X1 |

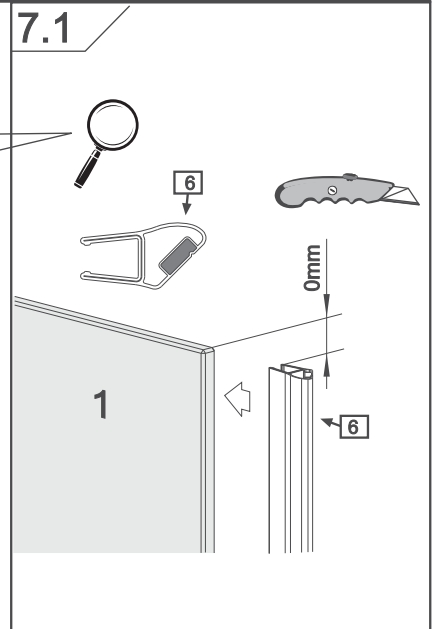
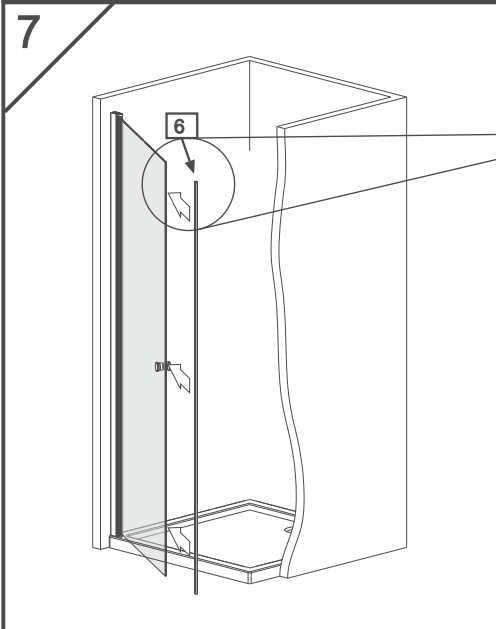
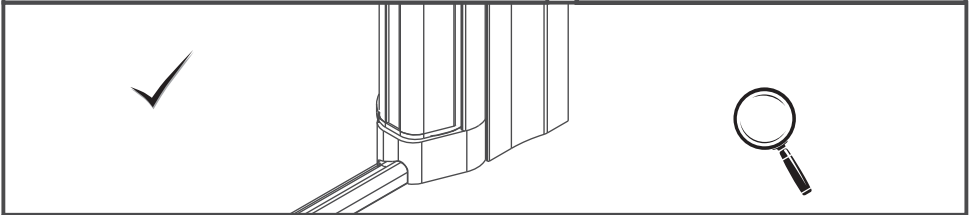
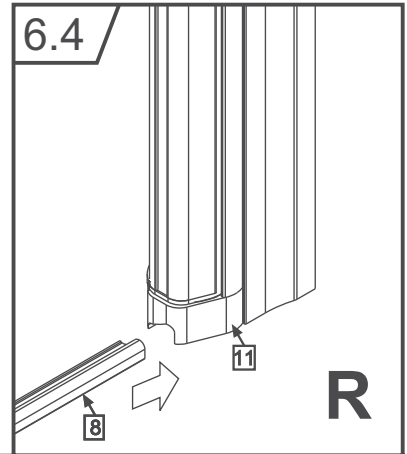
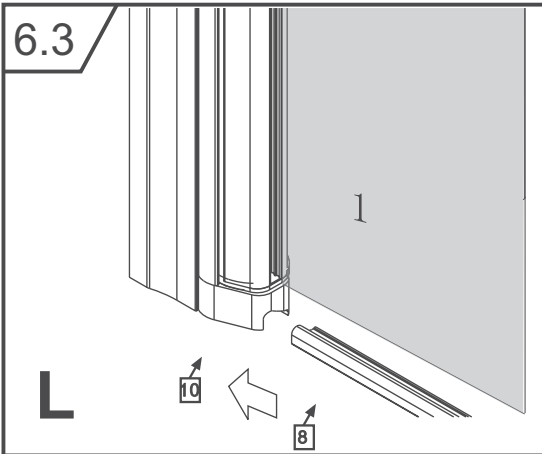


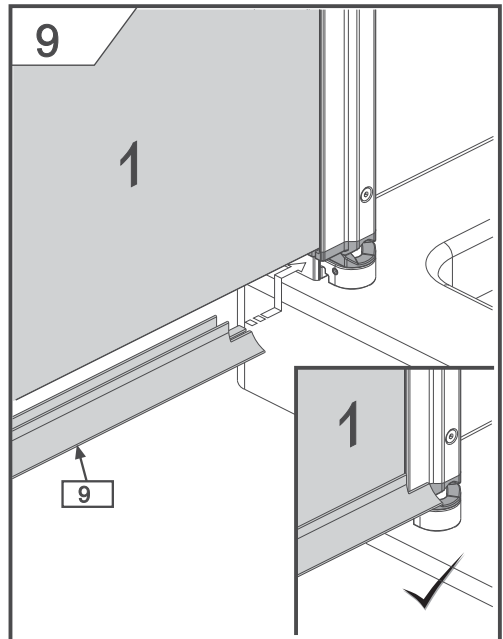
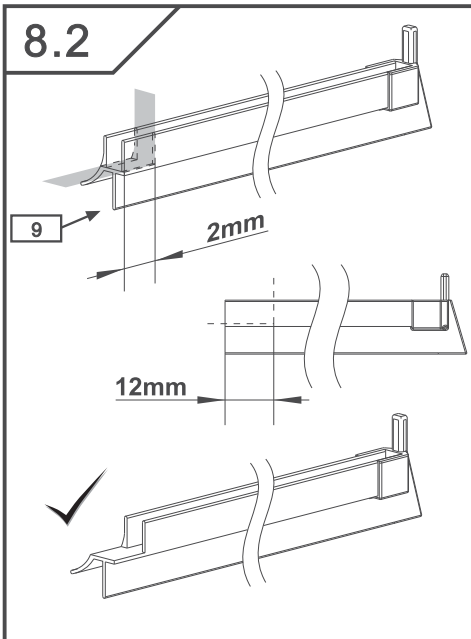
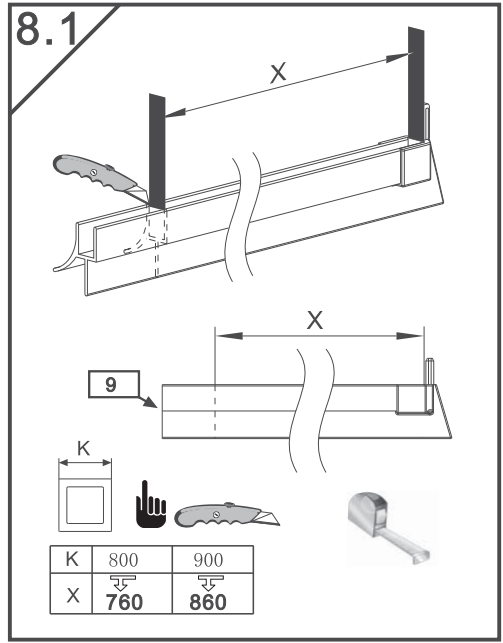
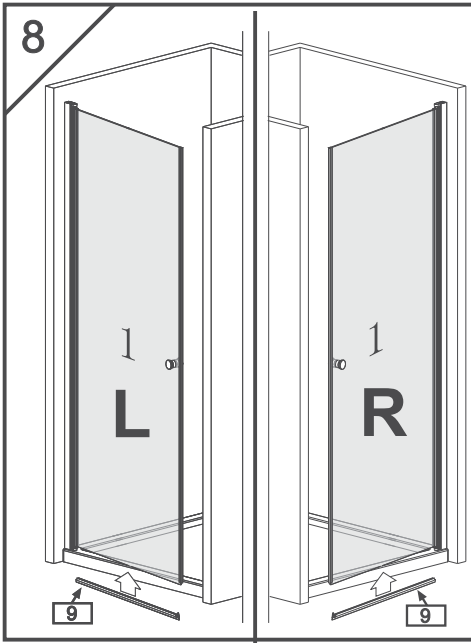
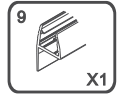
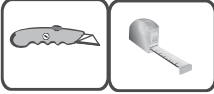
◆ Installation Steps

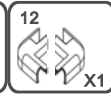
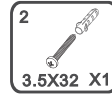






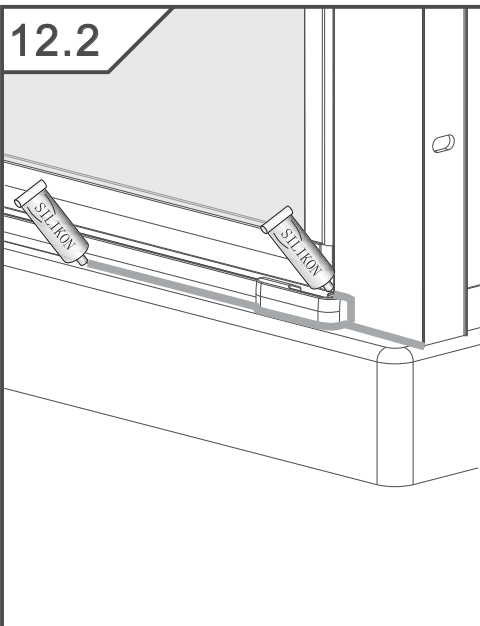
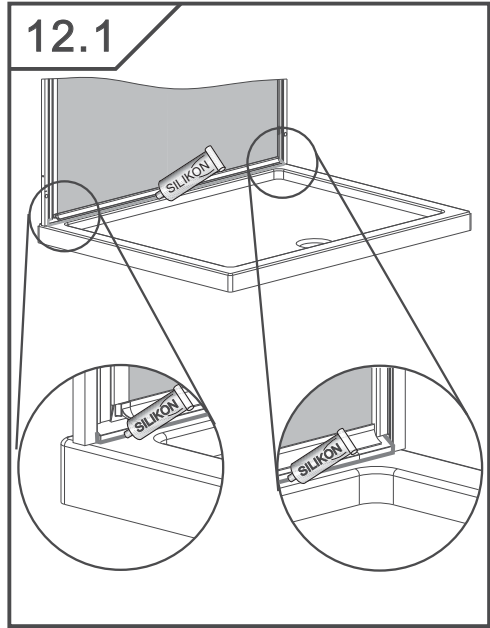
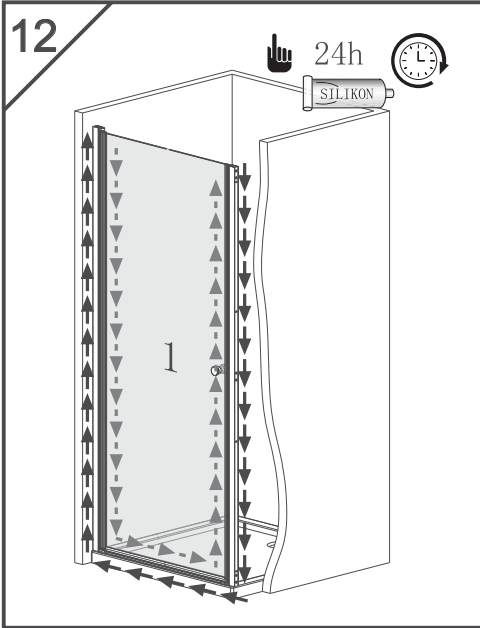






10

11



WE RECOMMEND THE REMOVAL
OF THE PERIMETER GLASS
PROTECTION ELEMENTS IS DONE
AFTER THE ASSEMBLY IS
COMPLETE.

SANOTECHNIK®

INTERNATIONAL



SANOTECHNIK
Handelsgesellschaft m.b.H.
Industriestraße 5
A-2752 Wöllersdorf
Tel.: +43 2622 / 421 93 0
Fax: +43 2622 / 421 93 6
office@sanotechnik.at
www.sanotechnik.com



SANOTECHNIK Hungária Kft.
MAGYARORSZÁG
Nagyfőtényi út 112
H-1222 BUDAPEST
Tel.: (+36 1) 424 06 70
Fax: (+36 1) 424 06 79
info@sanotechnik.hu
www.sanotechnik.com



SC Sanotechnik COM Rumänien S.R.L.
ROMANIA
Tancabesti, DN 1, KM 26,5
Com. Snagov, jud. Ilfov
Tel.: +40 21 350 13 43
Fax: +40 21 350 13 44
office@sanotechnik.ro
www.sanotechnik.com



SANOTECHNIK d.o.o.
SLOVENIJA
Stritarjevsca ulica 24
SI-2000 MARIBOR
Tel. +3862/4213350
Fax +3862/4213358
info@sanotechnik.si
www.sanotechnik.com



Sanotechnik Bulgaria Ltd.
BULGARIA
3, Georgi Benev St.
BG-4003 Plovdiv
Tel: +359 32 961101
Fax: +359 32 961102
office@sanotechnik.bg
www.sanotechnik.com