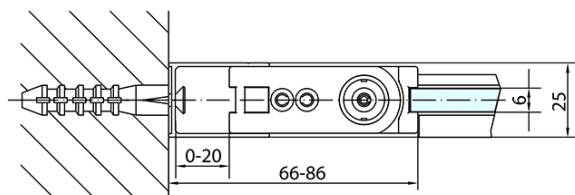
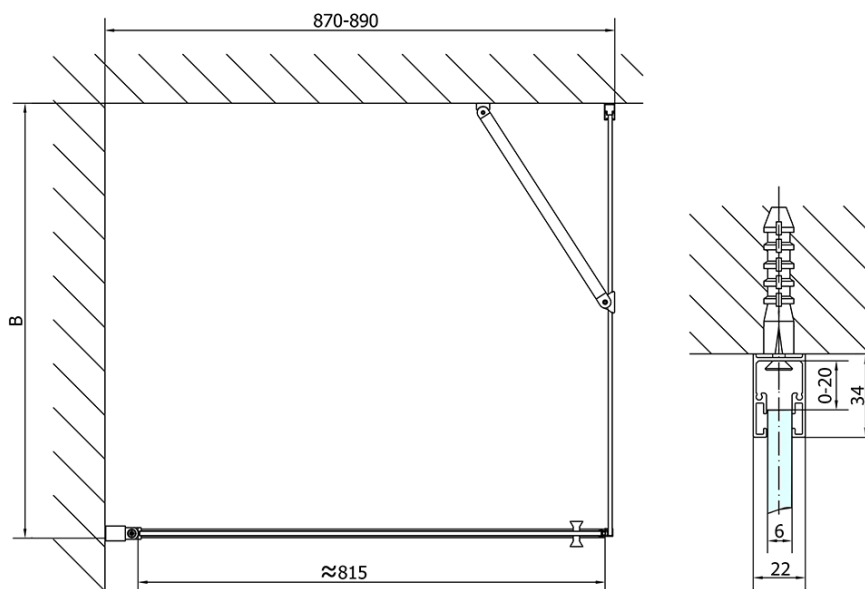
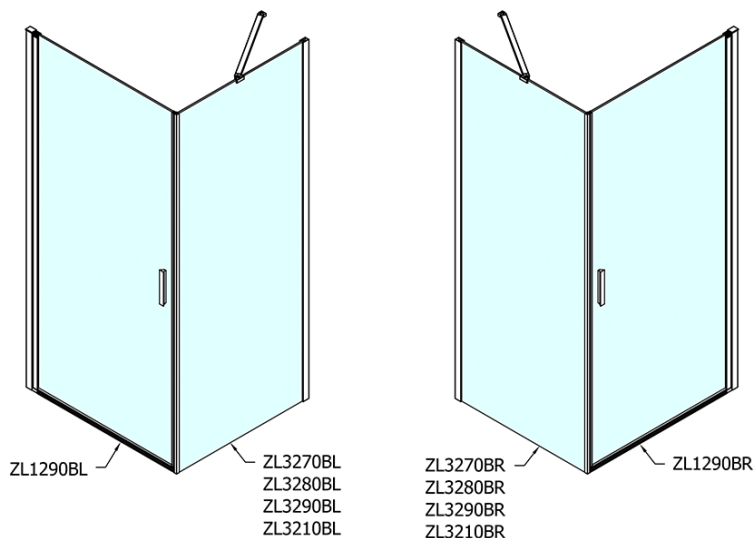


Karta produktu

Kod: **ZL1290BZL3290B**

ZOOM LINE BLACK kabina prysznicowa 900x900mm
wariant L/P



| | B |
|-----------------|---------|
| ZL1290B-ZL3270B | 670-690 |
| ZL1290B-ZL3280B | 770-790 |
| ZL1290B-ZL3290B | 870-890 |
| ZL1290B-ZL3210B | 970-990 |